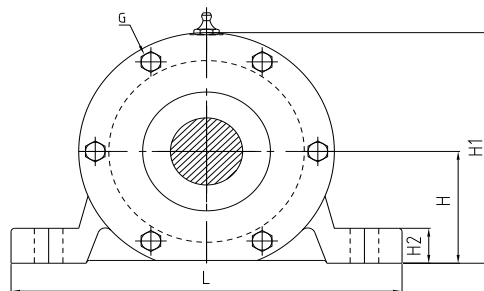
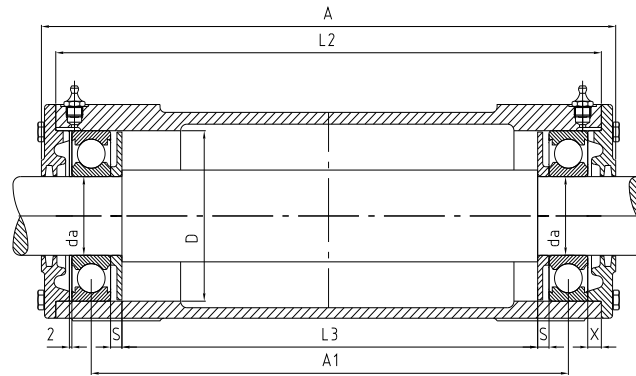


# Fan Bearing Housings

## Series PDNI

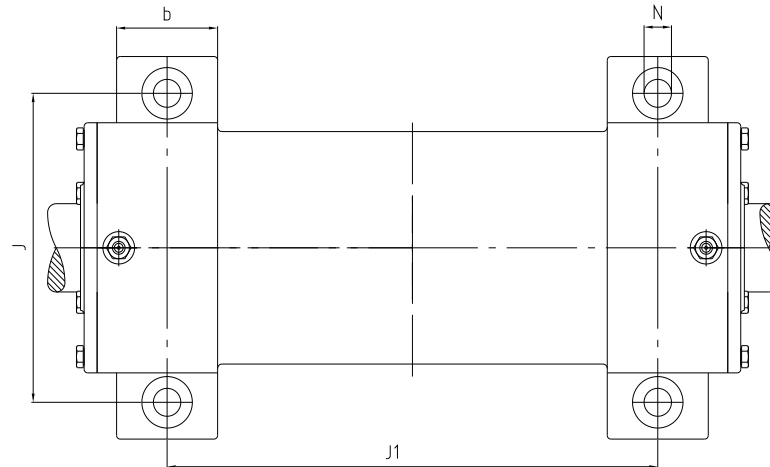
With grease control discs  
for ball bearings (without shaft)



Dimension  $L_3$  - does not leave spare for the spring washer

Housing RefNo	$d_a$	H	$H_1$	$L_2$	A	$A_1$	$L_3$	L	b	$H_2$	$J_1$	J	S	X	N	D
mm																
PDNI 306	30	50	100	210	226	171,5	140,8	160	40	18	150	130	6,1	9,5	15	72
PDNI 307	35	60	116	239	260	195,5	160,8	190	45	18	175	150	7,1	11	15	80
PDNI 308	40	60	121	298	315	255,5	215,0	190	52	20	225	150	9,1	9,4	15	90
PDNI 309	45	70	137	340	360	279,5	237,0	210	52	22	250	170	9,1	17,4	15	100
PDNI 310	50	70	142	360	377	311,5	267,0	210	60	25	275	170	9,1	10,4	15	110
PDNI 311	55	80	158	400	422	335,5	289,0	260	60	25	300	210	9,1	17,4	19	120
PDNI 312	60	80	165	437	460	383,5	355,0	260	70	25	340	210	9,1	10,9	19	130
PDNI 313	65	95	185	470	492	402,5	350,0	280	70	25	360	230	10,1	16,9	19	140
PDNI 314	70	95	190	490	512	420,5	366,0	290	70	25	380	230	10,1	16,9	19	150
PDNI 315	75	100	200	508	547	448,5	390,0	320	80	30	400	260	11,1	10,9	19	160
PDNI 316	80	112	220	525	556	466,0	406,0	320	80	30	420	260	11,1	9,4	19	170
PDNI 317	85	112	225	559	590	486,0	423,8	350	80	30	440	290	11,1	15,5	19	180
PDNI 318	90	112	230	575	605	510,0	448,0	350	85	30	460	290	10,0	10,5	19	190
PDNI 319	95	125	253	605	648	540,0	472,0	400	90	36	480	320	12,0	9,5	24	200
PDNI 320	100	130	264	635	673	570,0	501,0	400	95	40	500	320	8,5	11,5	24	215

Series PDNI  
With grease control discs  
for ball bearings (without shaft)

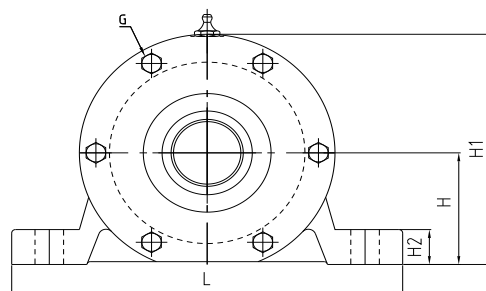
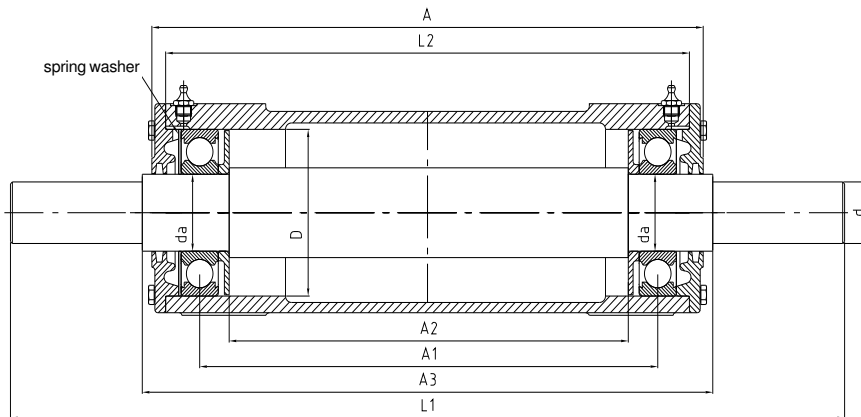


Housing RefNo	Matching bearing	Weight kg	Cover screws G	Permissible Speed with grease lubrication	Compensating spring washer
PDNI 306	6306 C3	6,60	4 x M 6	9000	AS 72
PDNI 307	6307 C3	9,20	4 x M 6	8500	AS 80
PDNI 308	6308 C3	11,8	4 x M 6	7500	AS 90
PDNI 309	6309 C3	15,0	4 x M 6	6700	AS 100
PDNI 310	6310 C3	17,8	6 x M 6	6300	AS 110
PDNI 311	6311 C3	27,5	4 x M 8	5600	AS 120
PDNI 312	6312 C3	32,0	6 x M 8	5000	AS 130
PDNI 313	6313 C3	34,0	6 x M 8	4800	AS 140
PDNI 314	6314 C3	37,0	6 x M 8	4500	AS 150
PDNI 315	6315 C3	48,0	6 x M 8	4300	AS 160
PDNI 316	6316 C3	51,0	6 x M 10	3800	AS 170
PDNI 317	6317 C3	65,0	6 x M 10	3600	AS 180
PDNI 318	6318 C3	69,0	6 x M 10	3400	AS 190
PDNI 319	6319 C3	83,0	6 x M 10	3200	AS 200
PDNI 320	6320 C3	93,0	6 x M 10	3000	AS 215

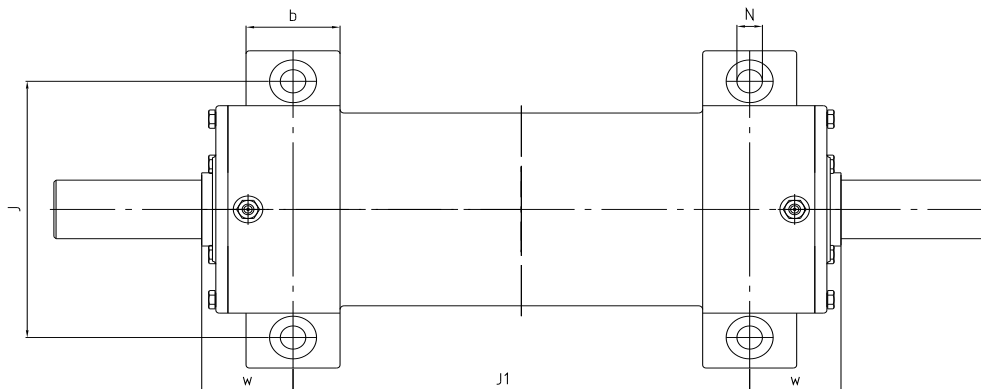
# Fan Bearing Housings

## Series PDNI

Complete with bearing and shaft  
floating arrangement



Housing RefNo	d	d <sub>a</sub>	H	H <sub>1</sub>	L <sub>2</sub>	L <sub>1</sub>	A	A <sub>1</sub>	A <sub>2</sub>	A <sub>3</sub>	L	b	H <sub>2</sub>	J <sub>1</sub>	J	w	N	D
mm																		
PDNI 306	24	30	50	100	210	340	226	171,5	140,0	240	160	40	18	150	130	45,0	15	72
PDNI 307	28	35	60	116	239	394	260	195,5	160,0	274	190	45	18	175	150	49,5	15	80
PDNI 308	32	40	60	121	298	491	315	255,5	214,0	331	190	52	20	225	150	53,0	15	90
PDNI 309	38	45	70	137	340	536	360	279,5	236,0	376	210	52	22	250	170	63,0	15	100
PDNI 310	42	50	70	142	360	613	377	311,5	266,0	393	210	60	25	275	170	59,0	15	110
PDNI 311	48	55	80	158	400	658	422	335,5	288,0	438	260	60	25	300	210	69,0	19	120
PDNI 312	48	60	80	165	437	696	460	383,5	334,0	476	260	70	25	340	210	68,0	19	130
PDNI 313	55	65	95	185	470	728	492	402,5	349,0	508	280	70	25	360	230	74,0	19	140
PDNI 314	60	70	95	190	490	812	512	420,5	365,0	532	290	70	25	380	230	76,0	19	150
PDNI 315	65	75	100	200	508	847	547	448,5	389,0	567	320	80	30	400	260	83,5	19	160
PDNI 316	70	80	112	220	525	856	556	466,5	405,0	576	320	80	30	420	260	78,0	19	170
PDNI 317	75	85	112	225	559	890	590	486,0	422,5	610	350	80	30	440	290	85,0	19	180
PDNI 318	80	90	112	230	575	965	605	510,0	446,5	625	350	85	30	460	290	82,5	19	190
PDNI 319	85	95	125	253	605	1008	648	540,0	470,5	668	400	90	36	480	320	94,0	24	200
PDNI 320	90	100	130	264	635	1033	673	570,0	500,0	693	400	95	40	500	320	96,5	24	215



Shafts with key according to DIN 6885, page 1

Shaft ends with thread shape D according to DIN 332, page 2

Housing RefNo	Fitted bearing	Weight kg	Grease quantity (g) by		Cover screws G	Permissible speed with grease lubrication	Compensating Spring washer
			First fill	Regreasing			
PDNI 306	6306 C3	9,5	60	5	4 x M 6	9000	AS 72
PDNI 307	6307 C3	13,7	80	5	4 x M 6	8500	AS 80
PDNI 308	6308 C3	19,0	110	10	4 x M 6	7500	AS 90
PDNI 309	6309 C3	23,5	140	10	4 x M 6	6700	AS 100
PDNI 310	6310 C3	30,0	190	10	6 x M 6	6300	AS 110
PDNI 311	6311 C3	39,0	240	15	4 x M 8	5600	AS 120
PDNI 312	6312 C3	52,0	300	15	6 x M 8	5000	AS 130
PDNI 313	6313 C3	56,5	390	15	6 x M 8	4800	AS 140
PDNI 314	6314 C3	67,0	480	20	6 x M 8	4500	AS 150
PDNI 315	6315 C3	80,0	590	20	6 x M 8	4300	AS 160
PDNI 316	6316 C3	90,0	700	20	6 x M 10	3800	AS 170
PDNI 317	6317 C3	112,0	830	25	6 x M 10	3600	AS 180
PDNI 318	6318 C3	130,0	1000	25	6 x M 10	3400	AS 190
PDNI 319	6319 C3	150,0	1150	30	6 x M 10	3200	AS 200
PDNI 320	6320 C3	177,0	1350	40	6 x M 10	3000	AS 215